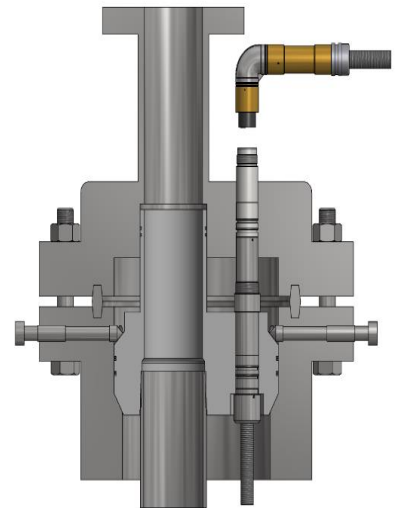


Vertechs Integrated Connector – Wellhead Penetrator System

Vertechs Integrated Connector (VIC) - Wellhead Penetrator System is an ESP cable connector system consisting of a slim and compact mandrel design. It is easy to install and connect, which significantly reduces installation time and cost. With only a single connection and no pigtails to splice, the optimized structure facilitates transportation and can fit into applications with smaller operating space. The VIC has various adapters that are compatible with all types of tubing hangers, which reduce installation risks and ensure successful connections.

Features

- Only a single connection, higher reliability
- No cable splicing saves on installation time
- No pigtails facilitate transportation and save costs
- Optimized structure, fits into applications with smaller operating space
- Various adapters, that are compatible with all types of tubing hangers
- Adaptable with both round and flat cable with any size



Specifications

VIC-Wellhead Penetrator System Specifications		
Item	Unit	Value
Voltage rating	V	5,000
Current rating	A	125
Temperature rating	°F/°C	302 / 150
Pressure rating	psi	5,000